

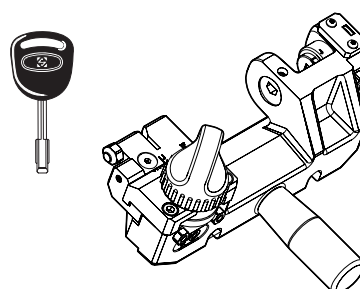
DELTA 2000 AY



Key cutting machine to cut Abloy® keys by code.
Solid and compact design cuts with high precision.

OPTIONAL

"FO" carriage: for a duplication by code of Ford Tibbe® (FO21P) and Jaguar® (TBE1P-TBE2P) type keys.

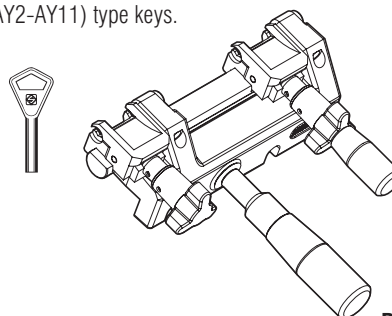


D713651ZB



Machine built to CE standards.

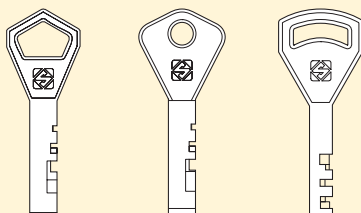
"Multicopy" carriage: duplication by copy of Ford® (FO19P-FO20P), Abus® (AB32-AB38P) and Abloy® (AY1-AY2-AY11) type keys.



D713655ZB



Abloy® type keys



® Registered trade marks

DELTA 2000 AY



TECHNICAL DATA

Motor:	230V/50Hz - 0,13 Kw (Vers. PLUS - FS - BRAZIL: 110V/60Hz; vers. JAPAN: 100V/50-60Hz)
Cutting tool:	High speed steel (HSS)
Dimensions:	width 210 mm - depth 370 mm - Height 250 mm
Weight:	14 Kg



AVAILABLE VERSIONS

<i>DELTA 2000 AY</i>	Code D813556ZB
<i>DELTA 2000 FO</i>	Code D813904ZB
<i>DELTA 2000 MC</i>	Code D813905ZB
<i>DELTA 2000 A</i>	Code D813893ZB
<i>DELTA 2000 SA</i>	Code D813892ZB
<i>DELTA 2000 M</i>	Code D813891ZB
FLAT STEEL	
<i>DELTA 2000 FS</i>	Code D813903ZB
SOFER	
<i>DELTA 2000 Sofer A</i>	Code D813897ZB
<i>DELTA 2000 Sofer SA</i>	Code D813898ZB
<i>DELTA 2000 Sofer M</i>	Code D813899ZB

BRAZIL

<i>DELTA 2000 Brazil A</i>	Code D813900ZB
<i>DELTA 2000 Brazil SA</i>	Code D813901ZB
<i>DELTA 2000 Brazil M</i>	Code D813902ZB
JAPAN	
<i>DELTA 2000 Japan A</i>	Code D813895ZB
<i>DELTA 2000 Japan SA</i>	Code D813896ZB
PLUS	
<i>DELTA Plus A</i>	Code D813888ZB
<i>DELTA Plus SA</i>	Code D813889ZB
<i>DELTA Plus M</i>	Code D813890ZB
<i>DELTA Plus FS</i>	Code D813894ZB