

Key cutting machine for tubular keys with frontal cuts.  
Standard version supplied with synchronised selfcentering clamp (T10) for tubular keys.

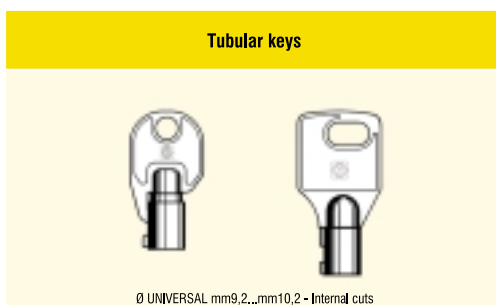
The synchronisation device automatically rotates the key blank proportionately as the original key is rotated.  
Rotation may be free through 360° or set to stop in 6 or 8 predetermined positions, by operating a selector.

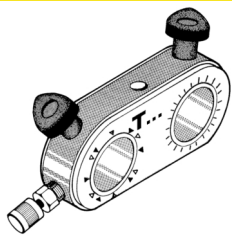








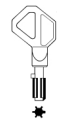





12 additional clamps are available on request for special requirements.



Machine built to CE standards.



OPTIONAL					
 <p><b>Interchangeable device</b></p>					
 For PROGRES-FONTAINE CORNI (5) <b>T2</b> D700189ZB	 For PROGRES-FONTAINE CORNI (7) <b>T3</b> D700190ZB	 For VIGIE-PICARD (6) <b>T4</b> D700191ZB	 For LAPERCHE (6) <b>T5</b> D700192ZB	 For JPM (5) <b>T6</b> D700193ZB	 For DAD-DECAVEUX (5) <b>T7</b> D700194ZB
 For POLLUX (5) <b>T8</b> D700195ZB	 For POLLUX (7) <b>T9</b> D700196ZB	 For CAVITH <b>T13</b> D700199ZB	 For VIGIE-PICARD (8) <b>T14</b> D704534ZB	 For Tubular Keys Ø UNIVERSAL mm6...mm12,5 Internal cuts <b>T15</b> D705355ZB	 For GB2 <b>T17</b> D709355ZB

# CROWN



## TECHNICAL DATA

Motor:	Single-phase motor
Cutting tool:	Ø 5,95mm
Dimensions:	width 230 mm - depth 450 mm - height 180 mm
Weight:	17Kg



## AVAILABLE VERSIONS

<i>CROWN 230V/50Hz</i>	Code D800325ZB
<i>CROWN 110V/60Hz</i>	Code D804483ZB

SILCA S.p.A.

Via Podgora, 20 Z.I. - 31029 Vittorio Veneto (TV) - Tel.: 0039.0438.9136 - Fax: 0039.0438.913800 - www.silca.it